

OLAER



for the perfect flow

PWO

Oil-Water Plate Coolers

brazed



„Unique for flexible and efficient solutions – **Maintenance-free with best performances.**“

Sandro Stoll, OLAER (Schweiz) AG

OIL-WATER-PLATE COOLERS PWO

Unique for flexible and efficient solutions – Maintenance-free with best performance

The PWO is a compact and light-weight oil-water cooler with high cooling capacity despite its small dimensions. It consists of corrugated channel plates enclosed by a back and front cover plate. The channel plates are pressed and vacuum-welded in an automatic procedure subject to very strict quality controls.

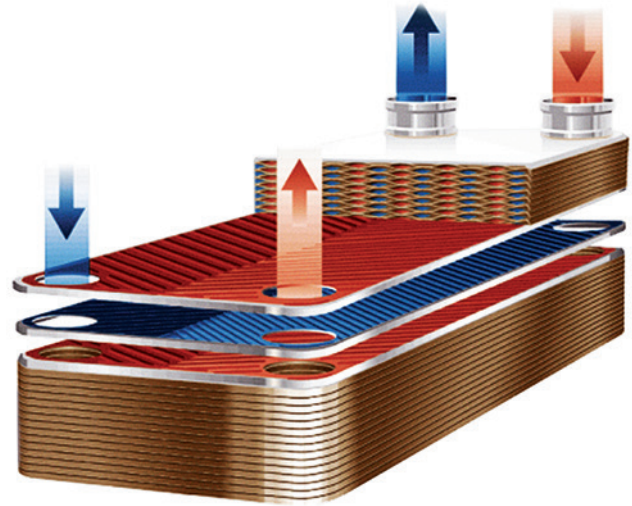
The unique plate design provides highly turbulent flow conditions throughout the cooler, the key to efficient cooling. Turbulences prevent deposits from forming to such an extent, that the PWO cooler is virtually maintenance free.

A wide number of possibilities

The unique design emphasizes a number of possibilities for versatile and efficient solutions. The PWO can easily be adapted to a variety of needs and special applications including seawater, aggressive oils, high pressure and high temperature applications. With a PWO water oil cooler in your system, you can be assured that the fluid in your system is working at the correct temperature, providing maximum performance and reliability in your system.

Advantages

- Light and compact
- Suitable for many applications
- Easy to install
- Cost efficient and environment-friendly



Mounting brackets for plate coolers (OKR 1180)

Selection table

Type	A	B	C	D
FK - B 5	193	75	220	160
FK - B 8	316	75	343	286
FK - B 10 / B 12	292	119	317	260
FK - B 15	469	75	495	437
FK - B 16	381	120	408	370
FK - B 25 / B 27 / B 28	527	119	553	496
FK - B 35	394	244	420	361
FK - B 120 / B 50 / B 56	527	244	553	494

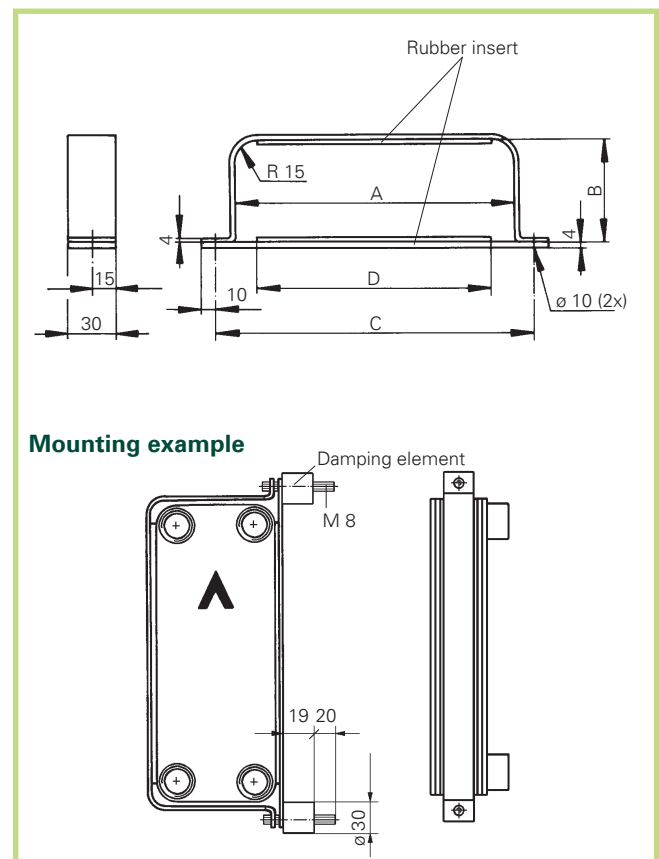
For the following types use two mounting brackets for each plates cooler:

- B 35 > 90 plates
- B 120 > 60 plates
- B 50 > 60 plates
- B 56 > plates Types bigger than B 56 on request.

Bestellbeispiel:

- Mounting bracket FK – B 5

The fastening screws, nuts and damping elements are included in the delivery package.



RANGE PLATE COOLERS SERIES B

Series B – Internal thread (OKR 1105)

General remarks

The brazed plates cooler are a complement to the usual rubber sealed plates coolers. They consist of a certain number of heat transferring plates, vacuum brazed in an automatic procedure to form a compact unit. **Copper** is used as brazing material.

Function

The heat transferring surfaces consist of acid-resistant stainless steel plates. Every other plate is turned by 180 degrees and placed on the preceding plate. The channels between the plates allow the media to flow counter current. By brazing the special plate profiles together the numerous contact points allow for very high operating pressures.

Medias

All types of liquids and gases, which are not aggressive for copper. In case of seawater please contact OLAER.

Max. operating pressure

31 bar (static)

Test pressure

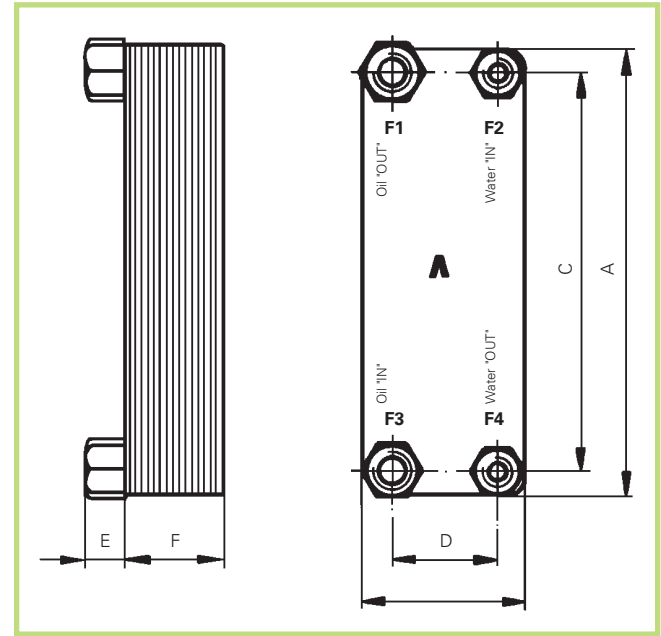
47 bar

Operating temperature

Max. operating temperature: + 225 °C
Min. operating temperature: - 195 °C

Material

Plates and connections: AISI 316 (Nr. 1.4401) or SMO 254
Brazing solder: Copper



Type	Max. number of plates	Weight in kg	Dimensions in mm						Oil connections, internal thread	Water connections, internal threads
			A	B	C	D	E	F		
B 5 T	60	0,6 + 0,044 x AP	187	72	154	40	20	11,3 + 2,24 x AP	G ¾	G ½
B 8 T	60	0,9 + 0,070 x AP	310	72	278	40	20	11,3 + 2,24 x AP	G ¾	G ½
B 10 T	140	1,4 + 0,090 x AP	289	119	243	72	20	10 + 2,24 x AP	G 1	G ¾
B 12	140	1,7 + 0,116 x AP	287	117	234	63	27	10,4 + 2,34 x AP	G 1¼	G 1
B 15	70	1,3 + 0,106 x AP	465	72	432	40	20	11,3 + 2,24 x AP	G ¾	G ½
B 16	140	1,5 + 0,106 x AP	376	119	320	63	27	10 + 2,24 x AP	G 1¼	G 1¼
B 25 T	140	2,1 + 0,170 x AP	526	119	479	72	20	10 + 2,24 x AP	G 1¼	G 1
B 28	140	2,1 + 0,170 x AP	526	119	470	63	27	10 + 2,24 x AP	G 1¼	G 1¼
B 35	250	6,7 + 0,336 x AP	393	243	324	174	27	11 + 2,34 x AP	G 1½	G 1¼
B 120 T	250	10,0 + 0,374 x AP	525	243	456	174	27	14 + 2,29 x AP	G 1½	G 1¼

AP = Number of plates

Manufacturer's tolerances not taken into account.

The right to make modifications reserved.

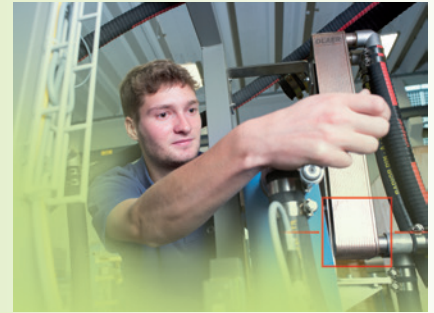
Additional OLAER plates coolers

- Plates cooler Series B – external thread see data sheet OKR 1110
- Plates cooler Series copper free – nickel-brazed, external thread see data sheet OKR 1115
- Plates cooler Series B / HP – high pressure – external thread see data sheet OKR 1120
- Plates cooler Series B / HP – high pressure/temperature – external thread see data sheet OKR 1130
- Plates cooler Minex – screwed see data sheet OKR 1205
- Plates cooler Series PG – screwed see data sheet OKR 1240

OLAER



for the perfect flow



OLAER



for the perfect flow

OLAER (Schweiz) AG

Bonnstrasse 3
CH – 3186 Düringen

Tel +41 (0) 26 492 70 00
Fax +41 (0) 26 492 70 70

info@olaerschweiz.ch
www.olaer.ch

OA Technik



for the perfect flow

OA-Technik GmbH

Ägydiplatz 3-4
A – 4600 Thalheim bei Wels

Tel +43 (0) 7242 / 90 98 98
info@oatechnik.at

www.oatechnik.at

Sitz: Thalheim bei Wels, Firmenbuch-Nr. 422229m Landesgericht Wels,
UID Nummer: ATU69992323 Finanzamt Grieskirchen Wels, Steuernummer: 54 222/2674